



A4 ALUMINIUM STEP BAR

Part No. AL4018B



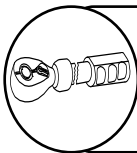
Fits: 2007-2020 TOYOTA TUNDRA DOUBLE CAB



REMOVE CONTENTS FROM BOX. VERIFY ALL PARTS ARE PRESENT.



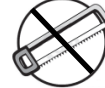
READ INSTRUCTIONS CAREFULLY BEFORE STARTING INSTALLATION.



DO NOT OVER TORQUE. STANDARD OPERATING LOAD FOR TIGHTENING BODY MOUNT NUTS & BOLTS VARIES FROM 18 TO 20 FOOT POUND FOR M8 HARDWARE.



120 mins



Cutting Not Required



Drilling Not Required



support@trailfx.com



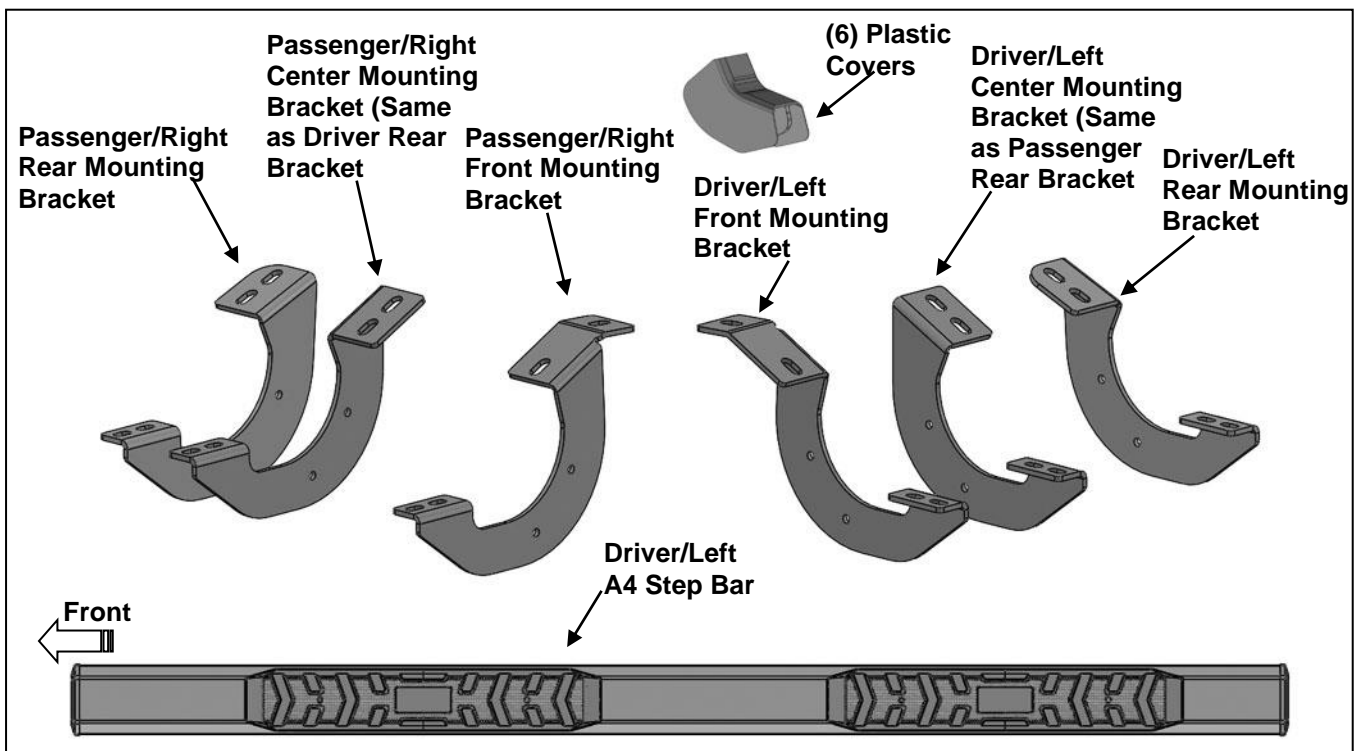
1- (866) 638 - 4870



POWDER COATED BLACK - LIMITED LIFETIME

PARTS LIST:

Qty	Part Description	Qty	Part Description
1	Driver/Left A4 Step Bar	12	Plastic Clips
1	Passenger/Right A4 Step Bar	12	8mm x 30mm Hex Bolts
2	Front Mounting Brackets	12	8mm x 20mm T-Bolts
2	Center Mounting Brackets	24	8mm x 24mm OD x 2mm Flat Washers
2	Rear Mounting Brackets	24	8mm Lock Washers
6	Plastic Cover	12	8mm Hex Nuts
REPLACEMENT PARTS LIST (NOT INCLUDED IN BOX)			
1	Step Pad Pack (Includes clips) - G9029	1	End Caps Pack - G9030
1	Bracket Cover Pack - G9031		



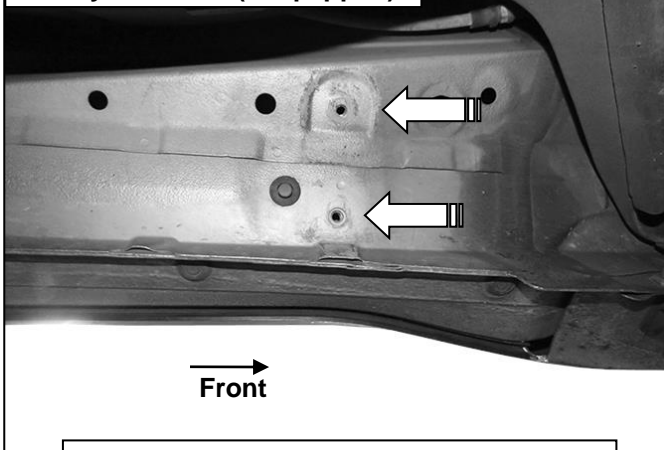
PROCEDURE:

1. REMOVE CONTENTS FROM BOX. VERIFY ALL PARTS ARE PRESENT. READ INSTRUCTIONS CAREFULLY. USE ILLUSTRATION TO IDENTIFY BRACKETS AND RUNNING BOARDS.
2. Starting on the Driver/Left front of the vehicle, remove the plastic plugs or hex bolts covering the (2) threaded holes in the floor panel, (**Figure 1**).
3. Select (1) Front Mounting Bracket, (**Figure 2**). Attach the Bracket to the floor panel with (2) 8mm Hex Bolts, (2) 8mm Lock Washers and (2) 8mm Flat Washers, (**Figure 2**). Do not tighten hardware.
4. Select (1) Plastic Cover. Attach the Cover to the Mounting Bracket with (2) Plastic Clips, (**Figure 3**).
5. Next, move to the second mounting location, (**Figure 4**). Select (1) Center Mounting Bracket. **IMPORTANT:** The Driver/Left Center Mounting Bracket is the same as the Passenger/Right Rear Mounting Bracket. Repeat **Steps 3 & 4** to attach the Bracket to the floor panel, (**Figure 5**).
6. Continue to the rear mounting location, (**Figure 6**). Repeat **Steps 3 & 4** to attach (1) Rear Mounting Bracket to the floor panel.
7. Select the Driver/Left A4 Step Bar. Insert (6) T-Bolts into the channels in the bottom of the Sidebar, (3) per channel, (**Figure 7**). Attach the Sidebar to the Mounting Brackets with (6) 8mm Flat Washers, (6) 8mm Lock Washers and (6) 8mm Hex Nuts, (**Figure 8**). Do not tighten hardware
8. Level and adjust the A4 Step Bar and tighten all hardware.
9. Repeat **Steps 2—8** to attach the Passenger/Right A4 Step Bar.
10. Do periodic inspections to the installation to make sure that all hardware is secure and tight.

To protect your investment, Do not use any type of polish or wax that may contain abrasives that could damage the finish. Mild soap may be used to clean the Sidebars.

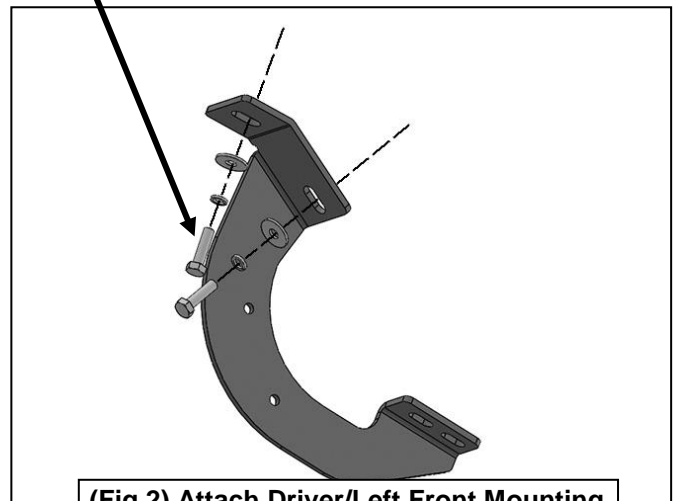
Driver/Left Side Installation Pictured

Remove plastic plugs or factory hex bolts (if equipped)

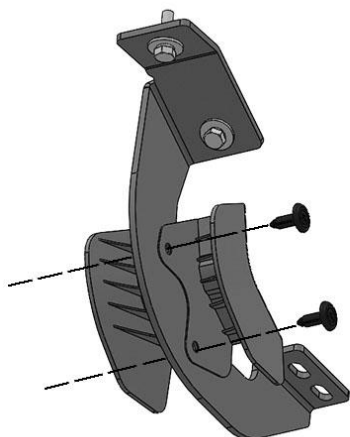


(Fig 1) Driver/Left front mounting location

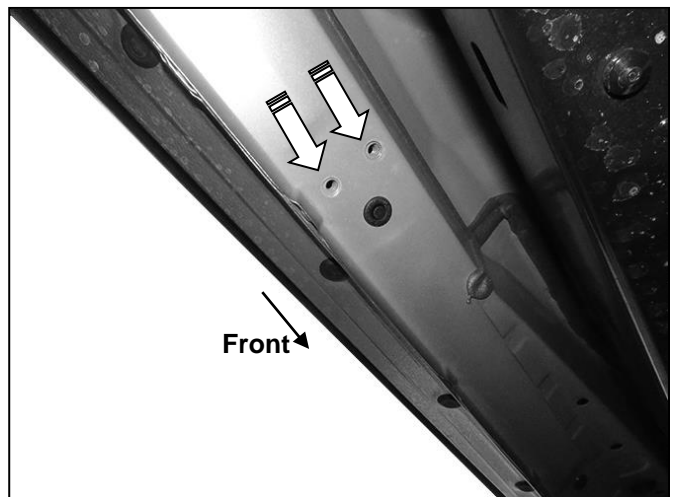
(2) 8mm Hex Bolts
(2) 8mm Lock Washers
(2) 8mm Flat Washers



(Fig 2) Attach Driver/Left Front Mounting Bracket to the floor panel

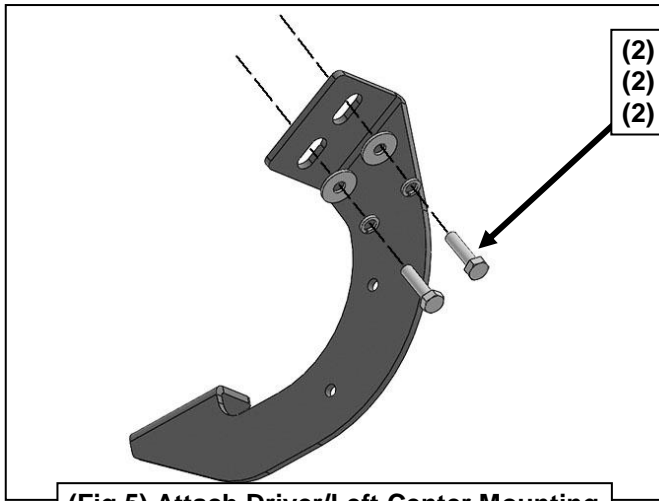


(Fig 3) Attach (1) Plastic Cover to the Mounting Bracket with (2) Plastic Clips

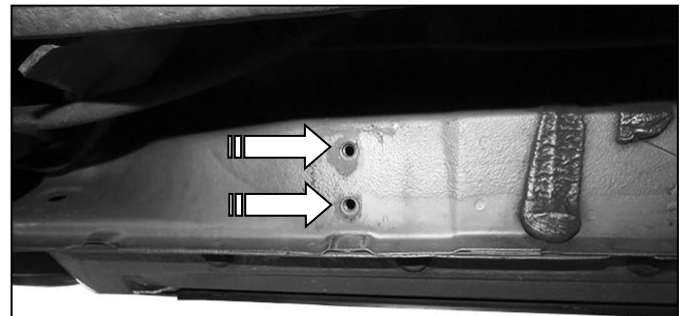


(Fig 4) Driver/Left 2nd mounting location

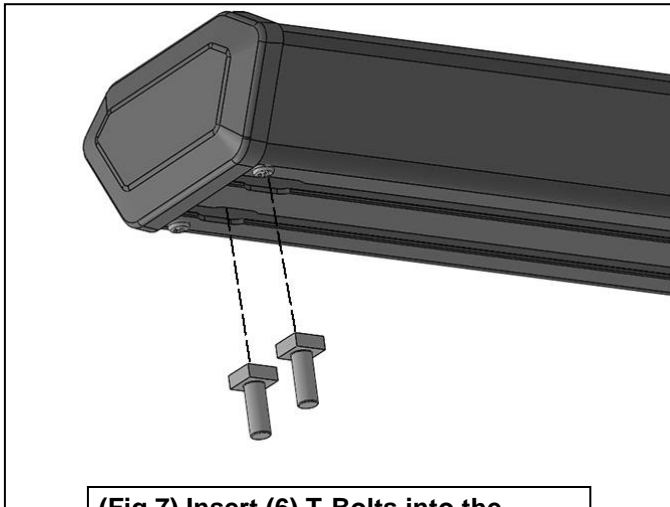
Driver/Left Side Installation Pictured



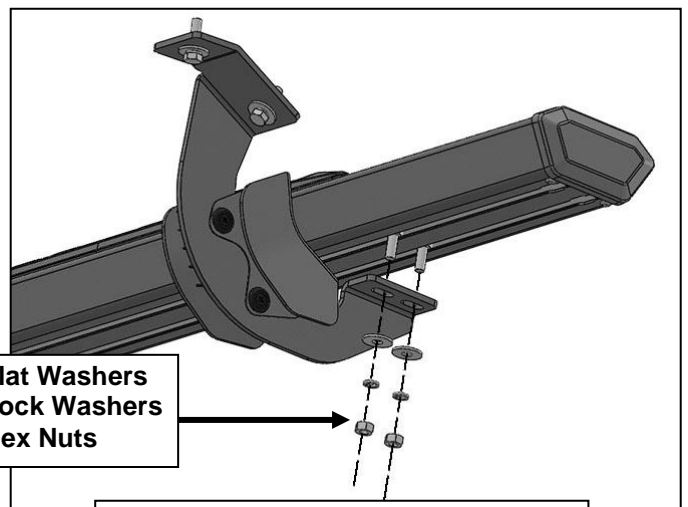
(Fig 5) Attach Driver/Left Center Mounting Bracket to the floor panel



(Fig 6) Driver/Left rear mounting location



(Fig 7) Insert (6) T-Bolts into the bottom of the Sidebar, (3) per channel



(Fig 8) Attach Driver/Left Running Board to the Front Mounting Bracket

PRODUCT CARE

- Periodically check the product to ensure all fasteners are tight and components are intact.
- For cleaning, use mild soap and warm water with a soft cloth or brush to prevent scratching.

FAQ's**1. Hardware and mounting brackets are not aligning properly**

Ensure that hardware is being used on the correct side of the vehicle. In some cases, the hardware may appear same for driver or passenger side but may alter the alignment of mounting location. Check mounting brackets for both sides.

2. Step Bar is not aligning with vehicle / doors

Step bars may be interchanged or reversed (Driver / Passenger Side). Check step bar for each side as well ensure the proper hardware has been used for each side.

3. Products are thumping / rattling after installation.

Ensure that all required mounting brackets / hardware's are installed & tighten correctly. Suggest using white lithium / regular grease between metal to metal contact.

4. Missing / Excess Hardware.

Recheck hardware count as per the part list.

5. Product not installing properly.

Ensure the Year / Make / Model as well as cab and bed dimensions are correct for the application. Review all steps for installation to ensure they were followed correctly.

6. Who should be contacted for questions regarding product / installation assistance?

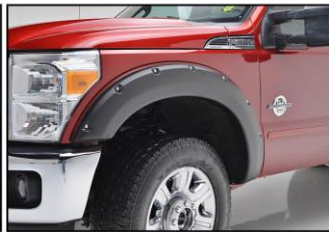
www.trailfx.com / support@trailfx.com 1-(866) 638-4870

Check out these other TrailFX Products!

www.trailfx.com



HOOD PROTECTOR



FENDER FLARES



TONNEAU COVER



BED LINERS

Keystone Automotive Operations Inc. (KAO) warrants this product to be free of defects in material and workmanship at the time of purchase by the original retail consumer. KAO disclaims any other warranties, express or implied, including the warranty of fitness for a particular purpose or an intended use. If the product is found to be defective, KAO may replace or repair the product at our option, when the product is returned prepaid, with proof of purchase. Alteration to, improper installation, or misuse of this product voids the warranty. KAO's liability is limited to repair or replacement of products found to be defective, and specifically excludes liability for any incidental or consequential loss or damage.